

STEP 1
Choose station type



P02



P03



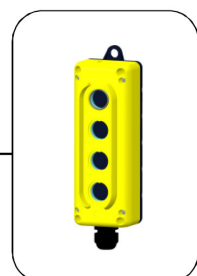
PL



PLB



TLP



HOLES n°	CODE	WEIGHT [gr]
2	P02K	180
3	P03K	258
5	PL05K	410
7	PL07K	540
8	PL08K	600
10	PL10K	700
12	PL12K	800
4	PLB04K	410
6	PLB06K	510
8	PLB08K	610
10	PLB10K	710
12	PLB12K	810
14	PLB14K	910
1	TLP1K	100
2	TLP2K	130
3	TLP3K	160
4	TLP4K	200
5	TLP5K	

STEP 2

Choose OPERATOR

STEP 3

Choose CONTACT TYPE

(*) Symbols according to FEM 9.941
Customized engraving available (min. quantity applies)

P02-P03-PL-PLB

TLP

(*)

		GREEN START	GREEN START ALARM	MUSHROOM OPERATOR Ø 30 TURN TO RELEASE EN ISO 13850
PL005019	PL005004			
		ALARM	BLUE	WITH VISION STANDARD PL013001 PL013002
PL005027	PL005012			MUSHROOM OPERATOR Ø 40
		WHITE	BLACK	
PL005023	PL005008			PL013003
		RED	GREEN	MUSHROOM OPERATOR Ø 40 KEY RELEASE
PL005020	PL005005			
		KEY SWITCH		PPFN1C4NX
PL005028	PL005013			
		TUBULARKEYLOCK 22mm Tubular Key Lock Includes Key, Bezel and Washer		
PL005024	PL005009			
		ROTARY SWITCH		
PL005031	PL005016			
		0-1 90° PL007001 1-0-2 45° PL007002 1->0<2 45° PL007003		
PL005032	PL005017			
PL005033	PL005018			

CONTACT BLOCKS

1 NC	PL004001
1 NO	PL004002

CONTACT BLOCKS

1 NC	PCW01
1 NO	PCW10

LED LAMP

POWER SUPPLY	CODE
AC/DC 12V	PL0045L12
AC/DC 24V	PL0045L24
AC/DC 48V	PL0045L48
AC/DC 110V	PL0045L110
AC 220V	PL0045L220

LAMP HOLDERS

BAGs PL004007

LED LAMP

POWER SUPPLY	CODE
AC/DC 12V	PCW5L12
AC/DC 24V	PCW5L24
AC/DC 48V	PCW5L48
AC/DC 110V	PCW5L110
AC 220V	PCW5L220

LAMP HOLDERS

BAGs PCWAD

(*)

PL005021	PL005006
PL005029	PL005014
PL005025	PL005010

NOT for TLP

MULTI-SPEED CONTACT BLOCKS

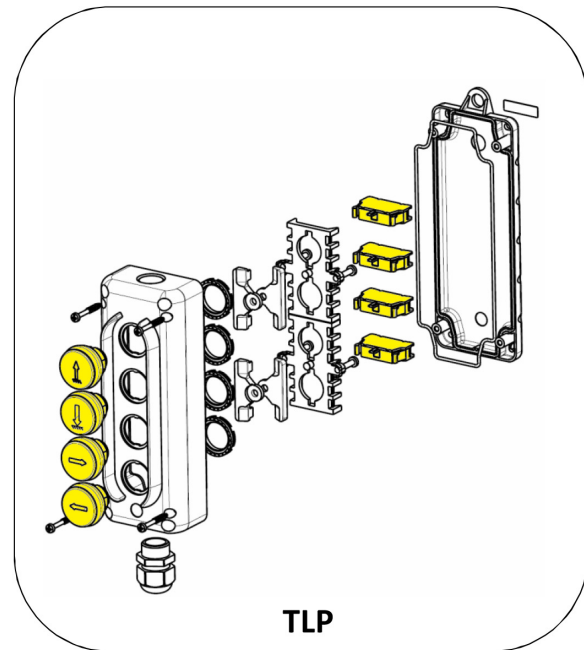
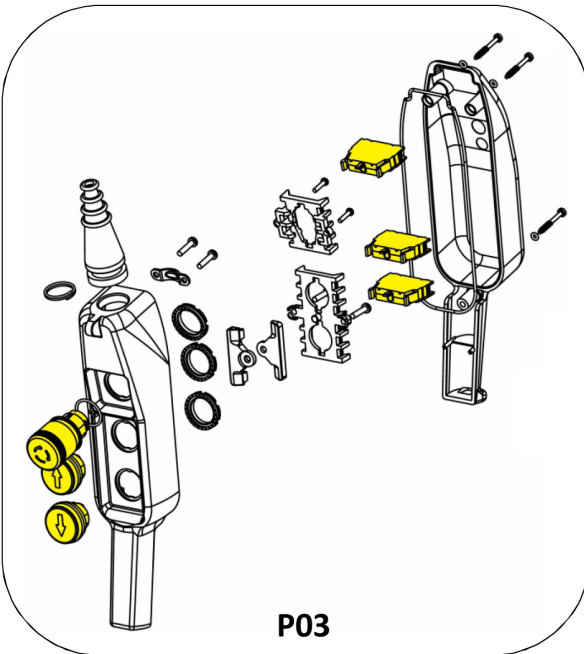
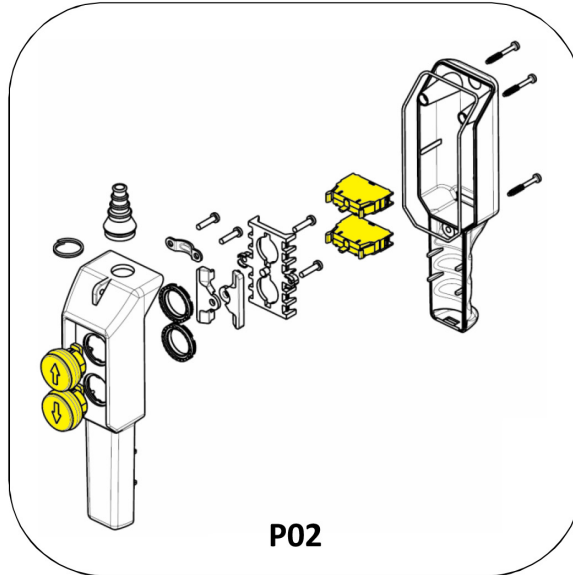
DOUBLE STEP	PL004010
1NO+1ND	

HOLE PLUG

PL015001

STEP 4

Mounting
instructions



STEP 1

kit enclosures include

- Pendant stations (box, screws, gasket)
- Cable sleeve
- Cable clamp
- Suspension ring
- Push button interlock

STEP 2-3

(item in yellow colour)

- Contact block
- Push buttons

must be chosen and purchased separately from
the enclosure kit